



SURFACE MOUNT CHAIRS

INSTALLATION GUIDE & PARTS LIST

FOR METAL STUD WALLS (3⁵/₈" depth minimum)



WARNING!

**YOUR SAFETY DEPENDS ON ATTACHING THIS CHAIR
ACCORDING TO THESE INCLUDED INSTRUCTIONS AND USING
IT ACCORDING TO ITS DESIGNATED USE.
FAILURE TO DO SO COULD RESULT IN SERIOUS INJURY TO
YOU OR DAMAGE TO YOUR WALL.
SAVE THIS MANUAL FOR FUTURE REFERENCE.**

DESIGNATED USE:

FAILURE LOAD= 410 LB SEATED PERSON (feet resting on floor).

MAX. RECOMMENDED USAGE LOAD= 250 LB SEATED PERSON (feet resting on floor).

DO NOT STAND, DROP OR JUMP ON CHAIR AT ANY WEIGHT!



WALLCHAIR INC.
20 Ausable Beach Road
Peru, New York 12972
phone: (518) 834-9923
email: wallchair@charter.net
website: www.wallchair.com

PARTS LIST:

ITEM#1	FRAME	X1
ITEM#2	PANEL	X1
ITEM#3	ASSY A	X1
ITEM#5	MUSHROOM PLUGS	X4
ITEM#6	WOOD SCREW, STAINLESS #14X2"LONG, FLAT HD.	X2
ITEM#7	WOOD SCREW, STAINLESS #10X2"LONG, FLAT HD.	X1
ITEM#8	MACHINE SCREW, STAINLESS 1/4-20 4"LONG, FLAT HD.	X3
ITEM#9	MACHINE SCREW, STAINLESS 1/4-20 3"LONG, BUTTON HD.	X1
ITEM#10	MACHINE SCREW, STAINLESS 1/4-20 3"LONG, FLAT HD.	X2
ITEM#11	BRACKET FOR METAL STUD	X1

INSTALLATION INSTRUCTIONS: FOR METAL STUDDED WALLS

(Contact us for help with other types of walls.)

1. LOCATE STUD.

- BEWARE** OF ANY PRE-EXISTING HOUSE WIRING
-RISK OF FIRE AND SHOCK!
- BEWARE:** DO NOT LOCATE CHAIR WHERE IT WILL PREVENT THE
OPENING OF A NEARBY DOOR WHEN THE CHAIR IS DOWN

1a. Locate a single, uncompromised, metal stud to which you will attach the chair.

This chair will be centered on this stud.

The locations of the right and left edges, as well as the open side of the stud, must be known precisely; using a stud finder and exploring with finishing nails.

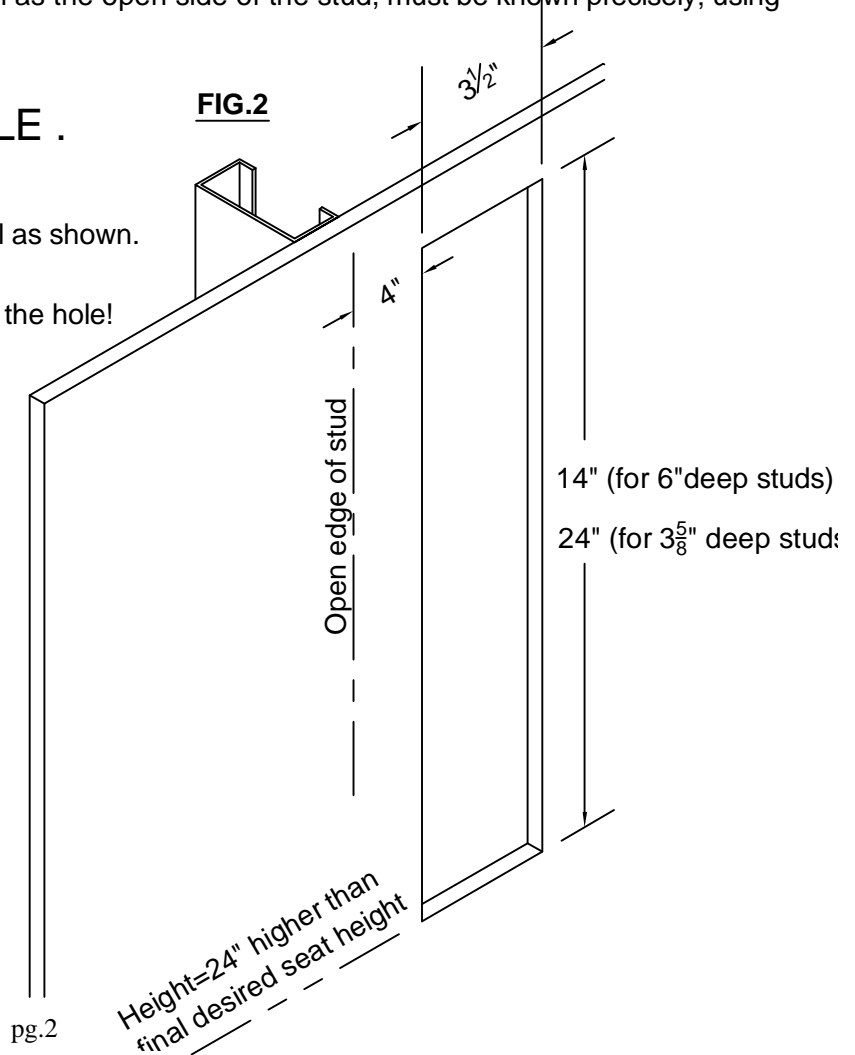
2. CUT BRACKET INSERTION HOLE .

FIG.2

2a. Neatly cut out a rectangular section of drywall as shown.

(cutout being on open side of stud)

Save the peice of drywall for later patching of the hole!



3. MARK HOLE LOCATIONS .

FIG.3

- 3a. Place bracket on the center of the stud.
Use it as a template to transfer the six hole locations onto the wall.

4. DRILL HOLE LOCATIONS .

- 4a. Remove Bracket.
Starting with a small drill bit, incrementally open up each hole location to a final $\text{Ø}1/2$ through the drywall and the closest wall of the metal stud.

5. PLACE BRACKET INSIDE THE WALL .

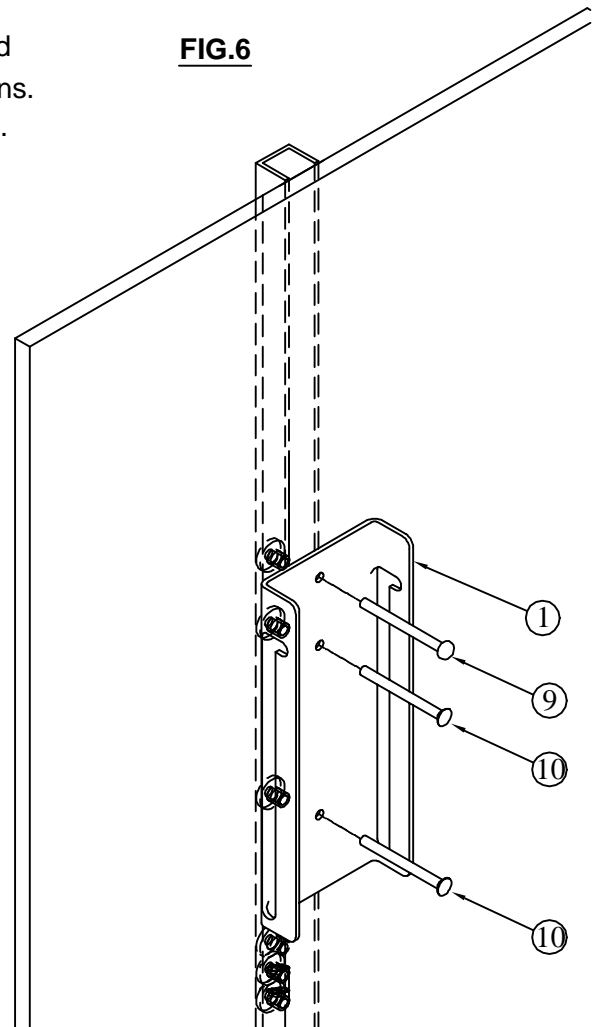
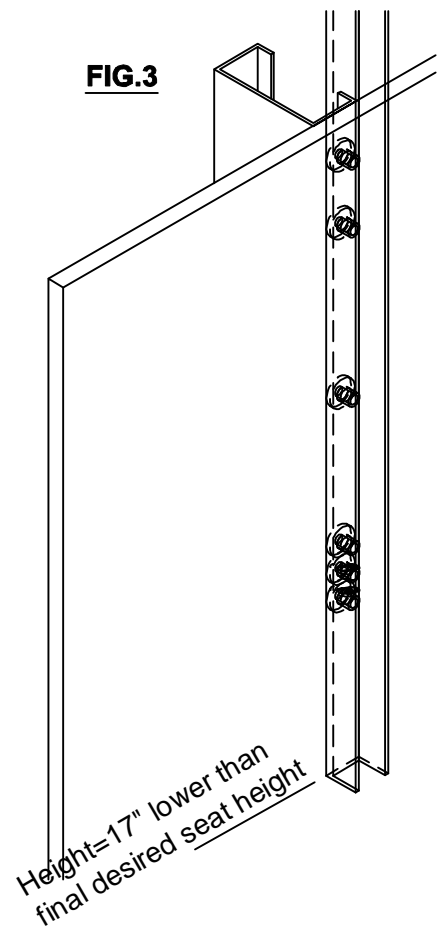
FIG.6

- 5a. Place the bracket behind the wall and inside the stud oriented as it was when you marked the hole locations.
The open face of the bracket is facing out of the wall.

6. ATTACH FRAME .

FIG.6

- 6a. Attach FRAME (ITEM#1) to bracket inside wall stud with ITEMS#9 and ITEMS#10.
Level the top of ITEM#1 and tighten very securely.
Long arms, two people, or a big clamp are helpful to hold the bracket in place while threading the first weld nut on the bracket.



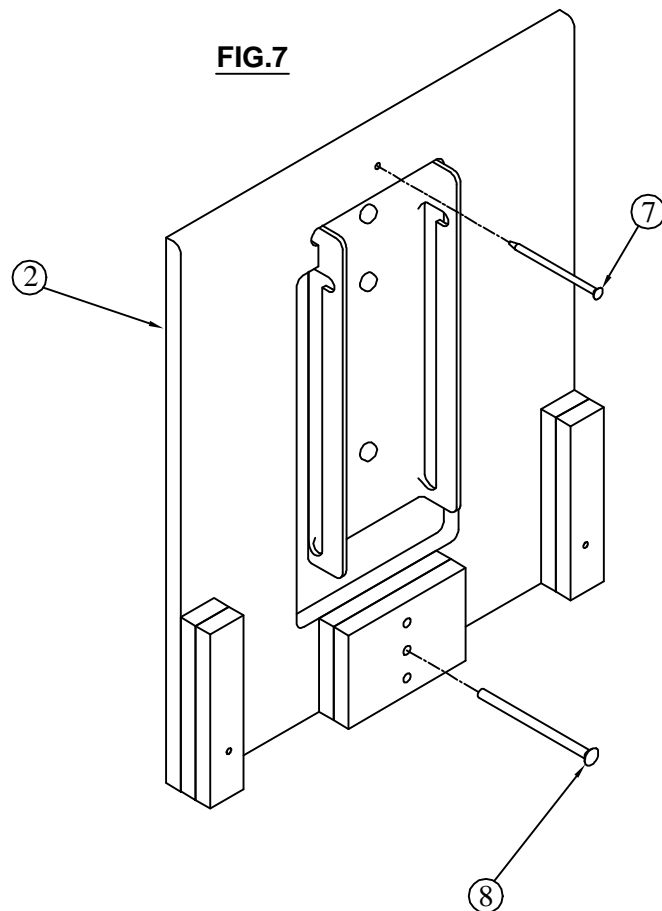
PARTS LIST:

ITEM#1	FRAME	X1
ITEM#2	PANEL	X1
ITEM#3	ASSY A	X1
ITEM#5	MUSHROOM PLUGS	X4
ITEM#6	WOOD SCREW, STAINLESS #14X2"LONG, FLAT HD.	X2
ITEM#7	WOOD SCREW, STAINLESS #10X2"LONG, FLAT HD.	X1
ITEM#8	MACHINE SCREW, STAINLESS 1/4-20 4"LONG, FLAT HD.	X3
ITEM#9	MACHINE SCREW, STAINLESS 1/4-20 3"LONG, BUTTON HD.	X1
ITEM#10	MACHINE SCREW, STAINLESS 1/4-20 3"LONG, FLAT HD.	X2
ITEM#11	BRACKET FOR METAL STUD	

7. ATTACH PANEL .

FIG.7

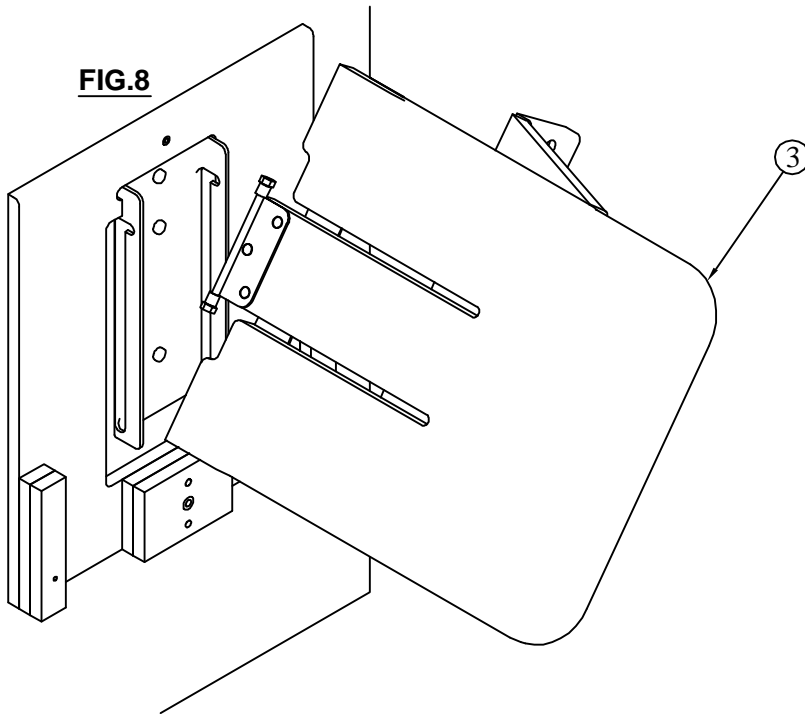
7a. Attach PANEL (ITEM#2) to wall stud with ITEMS#7 and to BRACKET ITEM#11 with ITEM#8.
Top of slot in PANEL rests evenly on top of FRAME.



8. TILT IN ASSY A .

FIG.8

8a. Tilt roller pins on ASSY A (ITEM#3) into FRAME (ITEM#1) and let them drop to the bottom of the slot.



9. ATTACH ASSY A TO PANEL .

FIG.9

9a. Line up holes at bottom of ASSY A and PANEL.

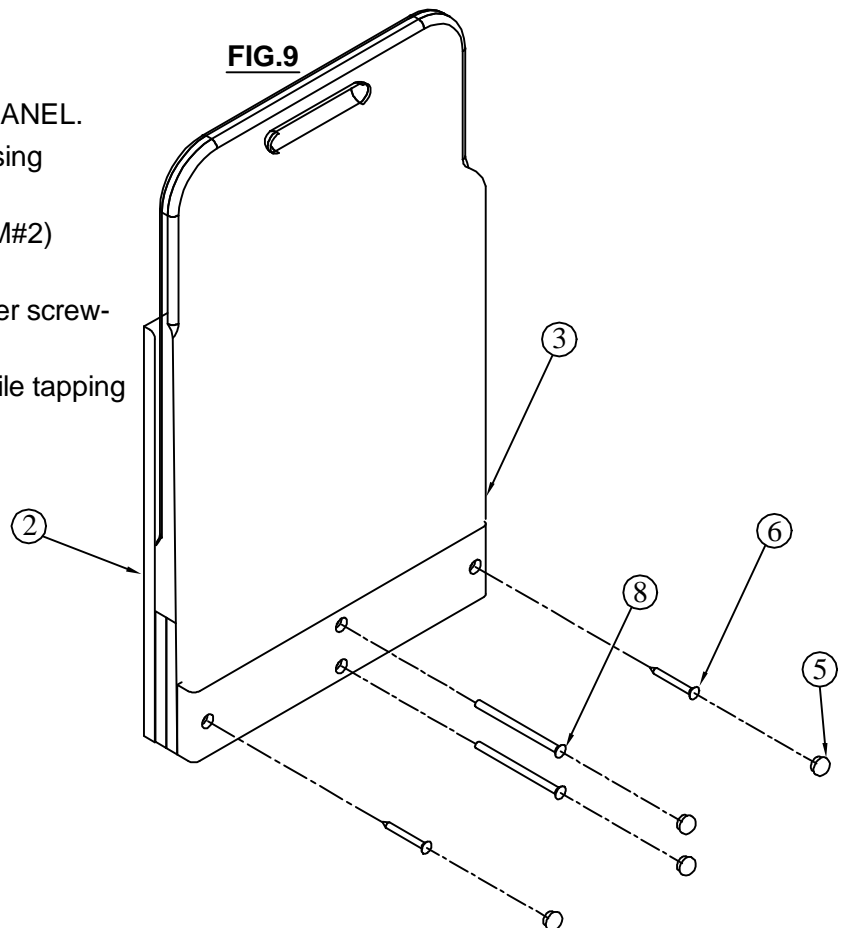
Attach ASSY A (ITEM#3) to BRACKET using 2x ITEMS#8 and tighten very securely.

Attach ASSY A (ITEM#3) to PANEL (ITEM#2) using and 2x ITEMS#6.

Tap MUSHROOM PLUGS (ITEMS#5) over screw-heads.

Cover PLUGS with cloth or cardboard while tapping to avoid damaging them.

Sand PLUG stem if fit is too tight.

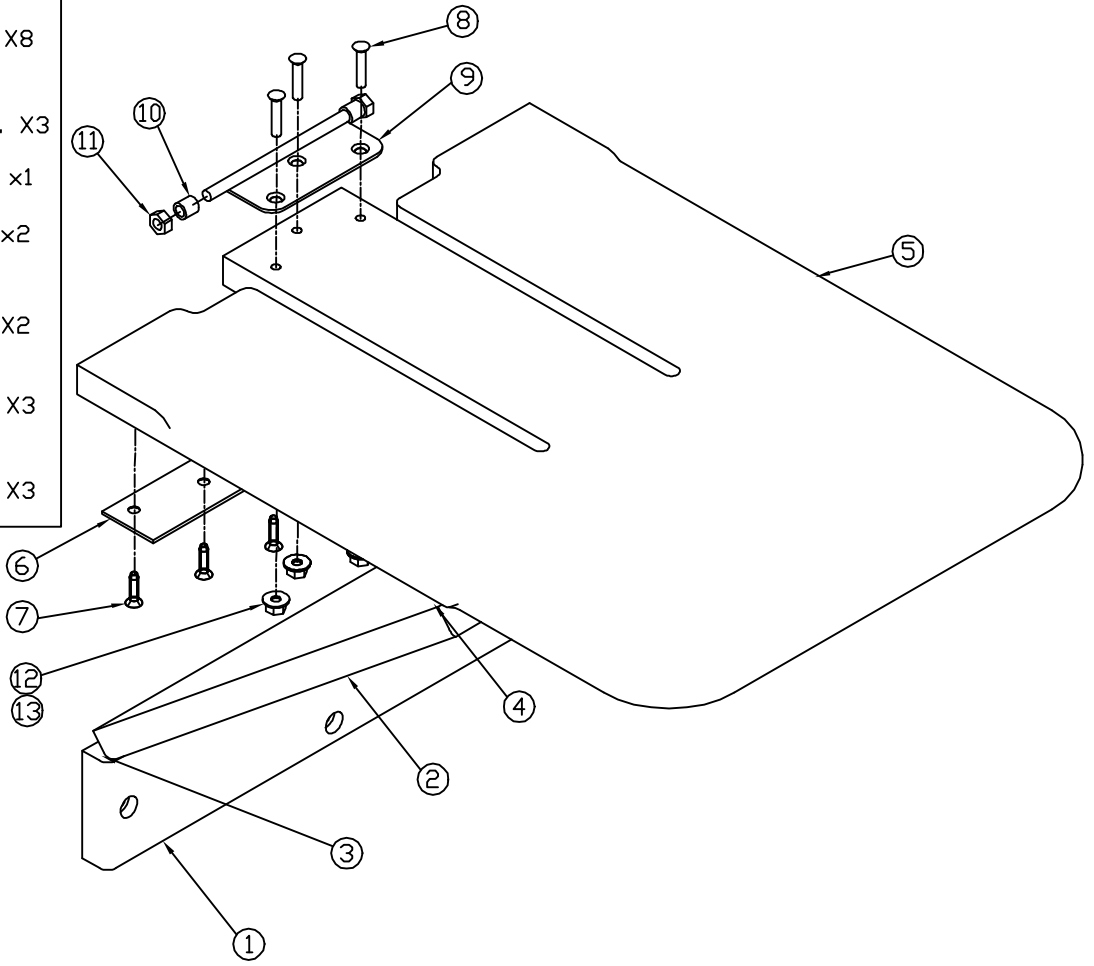


10. PATCH AND PAINT WALL .

PARTS LIST:

ITEM#3	ASSY A	X1
#1	FOOT	X1
#2	LEG	x1
#3	HINGE, LOWER	x1
#4	HINGE UPPER	x1
#5	SEAT	x1
#6	BAR	x1
#7	WOOD SCREW, STAINLESS #10X ³ / ₄ " LONG, FLAT HD.	X8
#8	MACHINE SCREW, STAINLESS 10-32X ⁷ / ₁₆ " LONG, FLAT HD.	X3
#9	PIN PLATE	x1
#10	BUSHING	x2
#11	LOCKNUT, STAINLESS 1/4-28	X2
#12	LOCKNUT, STAINLESS 10-32	X3
#13	WASHER, STAINLESS #10	X3

EXPLODED VIEW OF ASSY A (ITEM#3)




-INSPECTION-

Periodically check to see that the FRAME (ITEM#1, PG2) is not loosening from the wall and that both roller pins are overlapping the slots in the FRAME.
 The FRAME (ITEM#1, PG2) and the FOOT should not move when you sit down!



WARNING!

YOUR SAFETY DEPENDS ON ATTACHING THIS CHAIR ACCORDING TO THESE INCLUDED INSTRUCTIONS AND USING IT ACCORDING TO ITS DESIGNATED USE. FAILURE TO DO SO COULD RESULT IN SERIOUS INJURY TO YOU OR DAMAGE TO YOUR WALL.


 WALLCHAIR INC.
 20 Ausable Beach Road
 Peru, New York 12972
 phone: (518) 834-9923
 email: wallchair@charter.net
 website: www.wallchair.com

Please contact us if you have any questions about installation or installing onto other types of walls