

PARTS LIST:

ITEM#1	SEAT	X1
ITEM#2	ALUMINUM BASE	X1
ITEM#3	PLASTIC SLOT SHIELD	X2
ITEM#4	PLASTIC END CAP	X2
ITEM#5	STEEL HINGE PIN	X2
ITEM#6	PLASTIC PIN PLATE	X1
ITEM#7	PLASTIC PIN CAP	X1
ITEM#8	WOOD SCREW, STAINLESS #12X3.25" LONG, FLAT HD.	X5
ITEM#9	WOOD SCREW, STAINLESS #6X $\frac{5}{8}$ " LONG, FLAT HEAD	X2



WARNING!
YOUR SAFETY DEPENDS ON ATTACHING THIS CHAIR ACCORDING TO THESE INCLUDED INSTRUCTIONS AND USING IT ACCORDING TO ITS DESIGNATED USE.

FAILURE TO DO SO COULD RESULT IN SERIOUS INJURY TO YOU OR DAMAGE TO YOUR WALL.

DESIGNATED USE:

FAILURE LOAD= **430 LB SEATED PERSON** (feet resting on floor).
 MAX. REGULAR USAGE LOAD= **280 LB SEATED PERSON** (feet resting on floor).
DO NOT DROP OR JUMP ON CHAIR AT ANY WEIGHT!

ALUMINUM AND PLASTIC CHAIR

INSTALLATION INSTRUCTIONS (For wood studded walls):

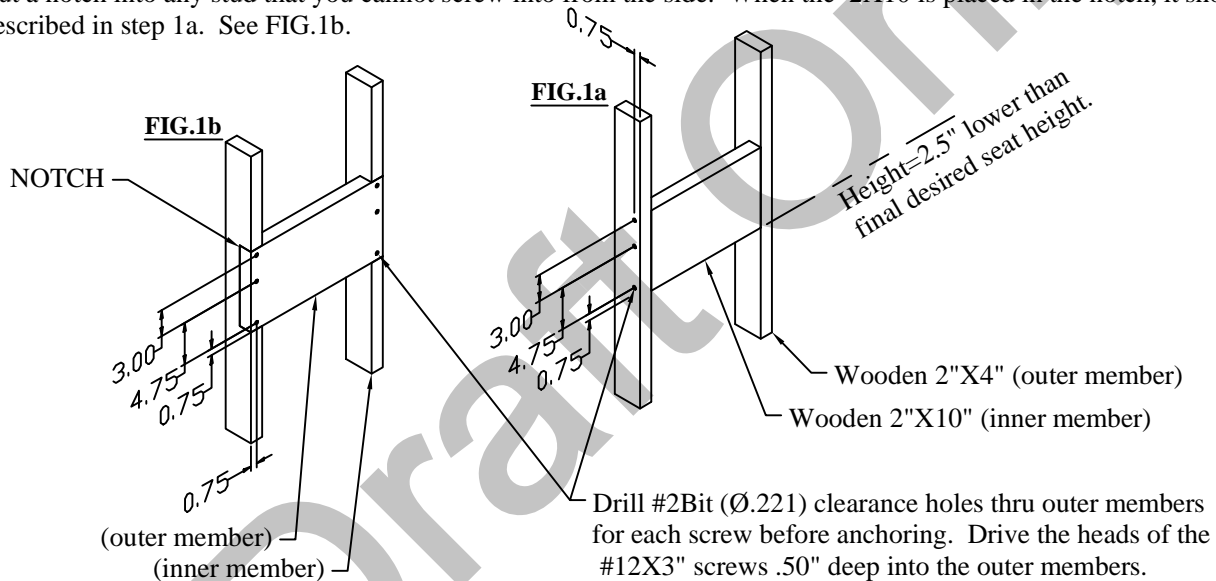
(Contact us for help with other types of walls)

1. PREPARE THE MOUNTING STRUCTURE. FIG.1a, FIG.1b

1a. Wedge a new, knot-free 2X10 pine, structural member between two 16" spaced wooden wall studs. The outer face must be flush with the outer face of the two 2X4 studs. Anchor it there using (QTYX3) #12X3" FLATHEAD SCREWS on each side as shown in FIG.1a

-If you don't have enough room to screw from the outside of each 2X4 stud, then see step 1b.-

1b. Cut a notch into any stud that you cannot screw into from the side. When the 2X10 is placed in the notch, it should sit flush as described in step 1a. See FIG.1b.



2. Carefully note the exact location of this 2X10 before covering up the wall.

3. COVER UP WALL.

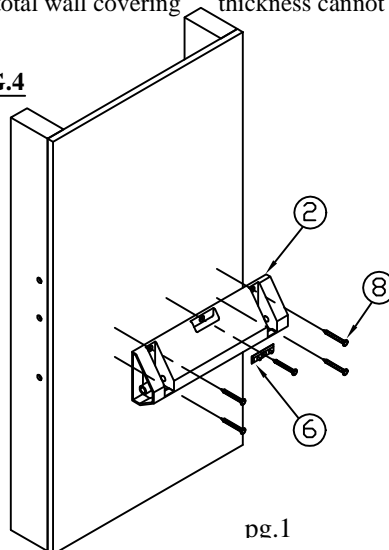
3a. Be sure wall material is pulled tight against the 2X10. Failure to do so can result in the damaging of the wall during the fastening of the base (ITEM#2) in Step 3. Combined total wall covering thickness cannot exceed 1.5"!

4. ATTACH BASE. FIG.4

4a. Locate the bottom edge of the base (ITEM#2) .63" above the bottom of the 2X10.

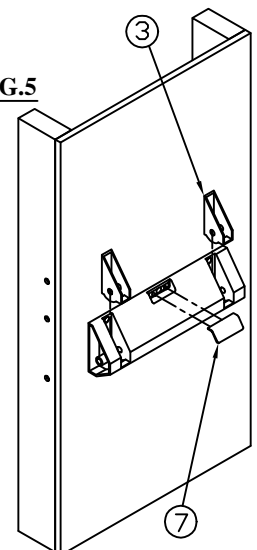
You may position it anywhere horizontally between the two 2X4's. Level it and anchor it to the wall using ITEMS#6 and #8.

FIG.4



5. Slide ITEMS #3 into base and push ITEM#7 onto ITEM#6. See FIG.5

FIG.5



PARTS LIST:

ITEM#1	SEAT	X1
ITEM#2	ALUMINUM BASE	X1
ITEM#3	PLASTIC SLOT SHIELD	X2
ITEM#4	PLASTIC END CAP	X2
ITEM#5	STEEL HINGE PIN	X2
ITEM#6	PLASTIC PIN PLATE	X1
ITEM#7	PLASTIC PIN CAP	X1
ITEM#8	WOOD SCREW, STAINLESS #12X3.25"LONG, FLAT HD.	X5
ITEM#9	WOOD SCREW, STAINLESS #6X $\frac{3}{8}$ "LONG, FLAT HEAD	X2



INSTALLATION INSTRUCTIONS CONTINUED:

6. INSTALL SEAT. FIG.6

6a. Lower ITEM#1 into the base.

6b. Insert ITEMS#5 into base from each side and push through support bars of seat.

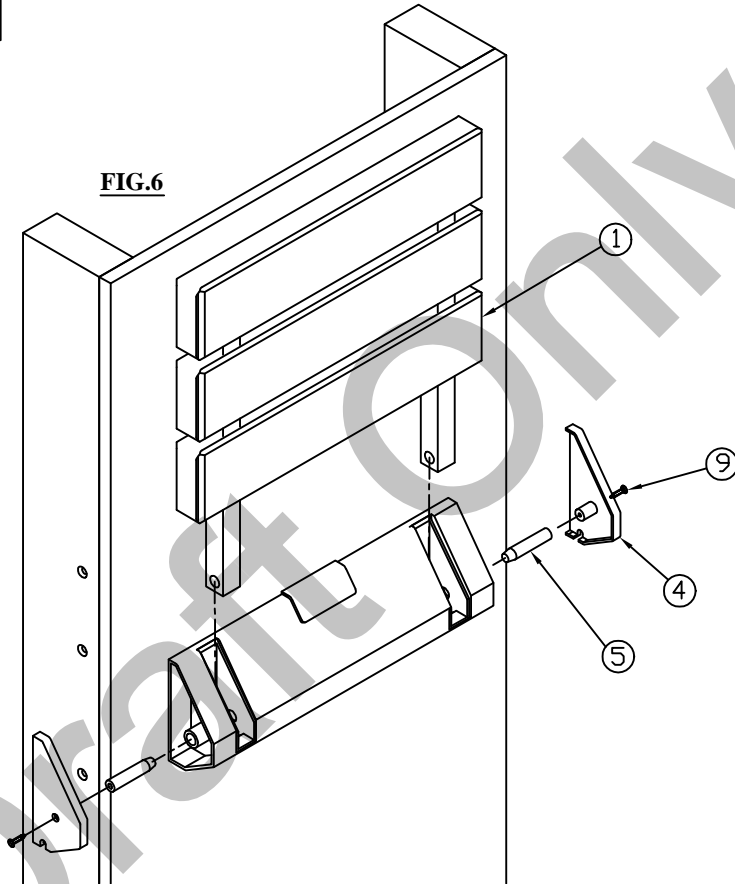
(Note: to remove an ITEM#5, catch a couple threads of a #10 machine screw in the end and pull out).

6c. Push Items#4 onto each side of base, which may push ITEMS#5 even further into base.

6d. When you have pushed ITEMS#4 on as far as they will go, anchor in place with ITEMS#9.

Do not overtighten

FIG.6



7. CAULKING.

7a. Caulk all around where base (ITEM#2) meets the wall.

8. INSPECTION.

8a. Periodically check to see that there is no gap developing between the base (ITEM#2) and the wall.

The base (ITEM#2) should not move when you sit down!

WARNING!

YOUR SAFETY DEPENDS ON ATTACHING THIS CHAIR ACCORDING TO THESE INCLUDED INSTRUCTIONS AND USING IT ACCORDING TO IT'S DESIGNATED USE.

FAILURE TO DO SO COULD RESULT IN SERIOUS INJURY TO YOU OR DAMAGE TO YOUR WALL.

WALLCHAIR

20 Ausable Beach Road
Peru, New York 12972
phone: (518) 834-9923
email: wallchair@charter.net
website: www.wallchair.com

Please contact us if you have any questions about installation or installing onto other types of walls