

PARTS LIST:

ITEM#1	ASSY A	X1
ITEM#2	LAG SCREW, STAINLESS 1/4X2.5"LONG, HEX HD.	X4
ITEM#3	ASSY B	X1
ITEM#4	WOOD SCREW, STAINLESS #12X3"LONG, FLAT HD.	X2
ITEM#5	PLUGS	X2
ITEM#6	TRIM	X1
ITEM#7	WOOD SCREW, FINISHING #6X2.25"LONG, SQ BIT.	X2



WARNING!
YOUR SAFETY DEPENDS ON ATTACHING THIS CHAIR ACCORDING TO THESE INCLUDED INSTRUCTIONS AND USING IT ACCORDING TO ITS DESIGNATED USE.

FAILURE TO DO SO COULD RESULT IN SERIOUS INJURY TO YOU OR DAMAGE TO YOUR WALL.

DESIGNATED USE:

FAILURE LOAD= 450 LB SEATED PERSON (feet resting on floor).

MAX. REGULAR USAGE LOAD= 310 LB SEATED PERSON (feet resting on floor).

DO NOT DROP OR JUMP ON CHAIR AT ANY WEIGHT!

RECESS MOUNT CHAIR

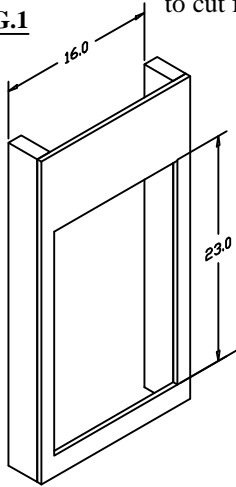
INSTALLATION INSTRUCTIONS: WOOD STUDDED WALLS

(Contact us for help with other types of walls.)

1. CUT HOLE BETWEEN TWO STUDS. FIG.1

1a. Locate a two, uncompromized, wooden 2x4 studs which are spaced 16" on center to which you will attach the chair. This chair will be centered between these two studs. Be sure you know exactly where any electrical is running in the vicinity so as not to puncture wires and or junction boxes. This could result in fires or electrical shock. Cut a square hole through the drywall as shown. Be sure to cut flush to the inside surfaces of the studs. The bottom horizontal cut should be level and straight.

FIG.1



BEWARE: Do not locate chair where it will prevent the opening of a nearby door when chair is down.

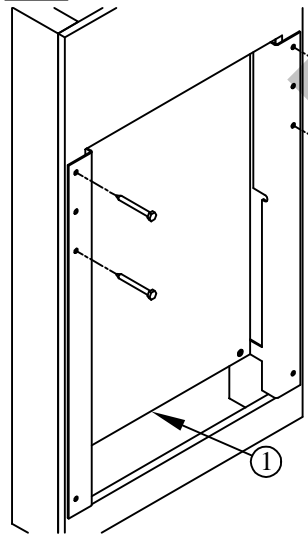
2. MARK HOLE LOCATIONS .

2a. Center the included Carboard Template between the two studs with the bottom edge of the template even with the bottom of the cutout. Using qtyx4, 3d size finishing nails, temporarily nail Template to studs at X'd locations. Remove template and nails. You have just created the center marks for the future lag screw locations.

3. ATTACH ASSY A . FIG.3

3a. Attach ASSY A (ITEM#1) to wall studs with ITEMS#2 at locations marked in Step#2. Some bending of back panel may be necessary. Ensure ITEMS#2 are installed perpendicular to the studs and are completely imbedded in them.

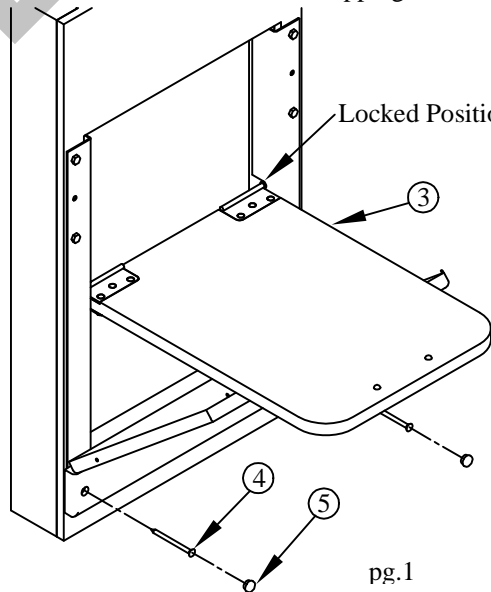
FIG.3



4. ATTACH ASSY B . FIG.4

4a. Tilt roller pins on ASSY B (ITEM#3) into ASSY A (ITEM#2 already on wall) and let them sit in the locked position (seat down) while you line up the two holes at bottom of ASSY B with two holes at bottom of ASSY A (ITEM#2 already on wall) and anchor there with ITEMS#4.

FIG.4



Tap Mushroom Plugs (ITEMS#5) over screw heads. Cover Plugs with cloth or cardboard while tapping to avoid damaging them. Sand Plug Stem if fit is too tight.

Caution: chair will close quickly if bumped while in this position and cause injury or damage to the chair if not attached to wall yet.

5. ATTACH TRIM . FIG.5.

5a. Attach Trim (ITEM#6) to studs using ITEMS#7. Seat should not hit Trim when seat is closed!

FIG.5

